

1 1/2-Inch Discharge Valve

FEATURES

- Large Capacity Agent Cylinder
- Grooved Fitting Connection
- FM Approved
- UL Listed
- RoHS Compliant

DESCRIPTION

The Kidde Fire Systems 1 1/2-inch valve is designed to facilitate high capacity discharge flow from smaller cylinders. Valves include a pressure relief device.

OPERATION

The Kidde Fire Systems 1 1/2-inch valve can be operated by all existing Kidde Fire Systems control heads. Actuation of the control head displaces the valve piston, allowing agent to flow through the discharge port of the valve.

The valve must be rebuilt with all the o-rings replaced every 15 years or after a discharge.

INSTALLATION

The valve must be installed in the cylinder neck ring prior to filling the cylinder. Upon assembly of the valve and siphon tube arrangement the valve should be torqued to 100 - 110 ft-lbs (135.5 -149.1 Nm).

SPECIFICATION

Valve body:	Brass
Piston:	Brass
Finish:	Natural
Valve seat:	Rubber
Nominal operating pressure:	360 psig at 70°F (2.48 Mpa at 21°C)
Operating temperature range:	32 to 130°F (0 to 54°C)
Weight:	46 lb. (21 kg)
Outlet:	2-inch NPT fitting



DIAGRAMS

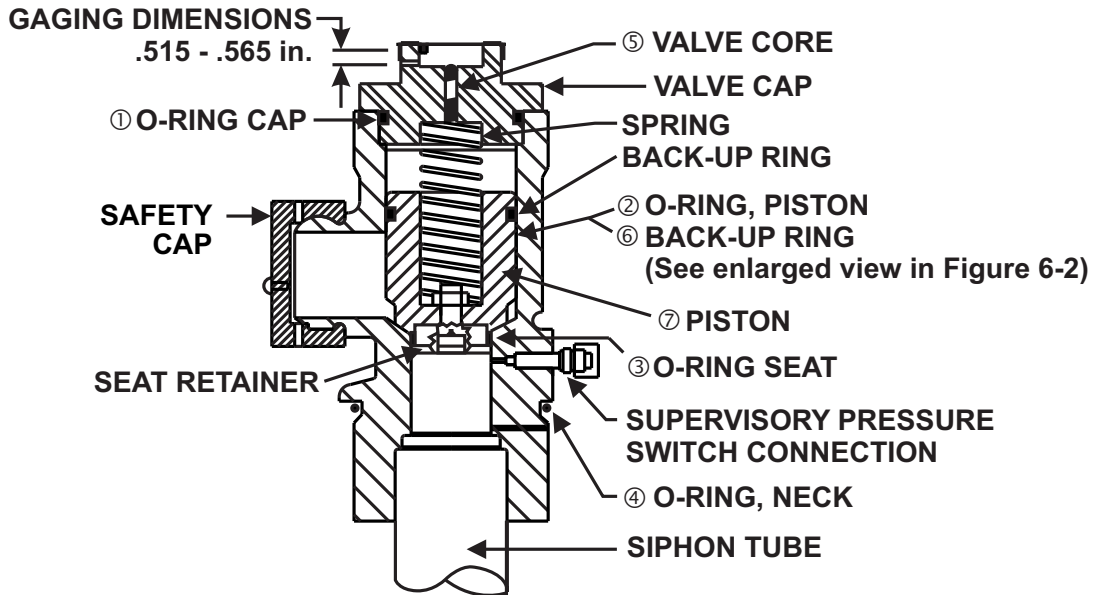


Figure 1. 1-1/2 in (40mm) Valve



Figure 2. Piston O-Ring

Table 1: 1-1/2 in (40 mm) Valve Components

Figure Item No.	Description
1	O-ring, cap
2	O-ring, piston
3	O-ring, seat
4	O-ring, neck
5	Schrader core
6	Back-up ring

Note: This is not the re-build kit. For contents of the rebuild kit, see datasheet K-85-3501.

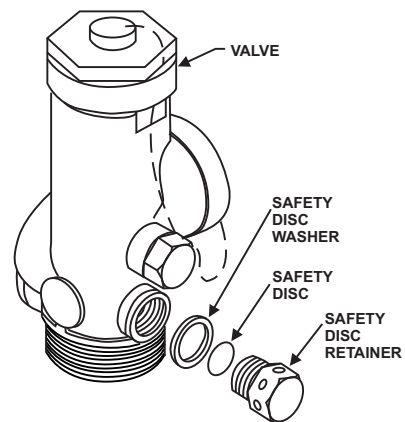


Figure 3. Safety Disc Replacement

ORDERING INFORMATION

The 1 1/2-inch valve can be purchased as a separate component to replace existing valves on all 10, 20, 40, 70, and 125 lb. cylinders. When ordering a replacement valve, please order the correct valve for the system. Using a valve that is not listed with the system will invalidate any agency approvals. The part number for the valve is listed in the following table:

Part Number	Description
45-144000-501	1 1/2" Valve for Kidde Fire Systems ECS-500™ systems using Fluoro-K™ Fire Suppression Clean Agent
45-140000-501	1 1/2" Valve for Kidde Fire Systems ECS-500™ systems using 3M™ Novec™ 1230 Fire Protection Fluid
45-144000-001	1 1/2" Valve for Kidde Fire Systems ECS™ using Fluoro-K™ Fire Suppression Clean Agent
45-140000-001	1 1/2" Valve for Kidde Fire Systems ECS™ using 3M™ Novec™ 1230 Fire Protection Fluid
90-140000-001	1 1/2" Valve for Kidde Fire Systems ECS™ using HFC-227ea Agent
90-140100-000	1 1/2" Valve Rebuild Kit

COMPATIBILITY

Series	DIOM P/N	Approvals
Kidde Fire Systems ECS-500™ System	06-237585-001	UL, ULC, FM
Kidde Fire Systems ECS-500™ Marine System	06-237589-001	UL, ULC, USCG
Kidde Fire Systems ADS™ for use with Fluoroketone Fire Suppression Agents	06-237256-001	UL, ULC, FM
Kidde Fire Systems ADS™ Marine for use with Fluoroketone Fire Suppression Agents	06-237257-001	UL, ULC, USCG
Kidde Fire Systems ADS™ with HFC-227ea Agent	06-236068-001	UL, ULC, FM
Kidde Fire Systems ADS™ Marine with HFC-227ea Agent	06-236595-001	UL, ULC, USCG
Kidde Fire Systems ECS™ 360 for use with Fluoroketone Fire Suppression Agents	06-236553-001	UL, ULC, FM
Kidde Fire Systems ECS™ 360 Marine for use with Fluoroketone Fire Suppression Agents	06-236559-001	UL, ULC, USCG
Kidde Fire Systems ECS™ 360 with HFC-227ea Agent	06-236115-001	UL, ULC, FM
Kidde Fire Systems ECS™ 360 Marine with HFC-227ea Agent	06-236225-001	UL, USCG

EXPORT INFORMATION (USA)

Jurisdiction: EAR
 Classification: EAR99

This document contains technical data subject to the EAR.

All trademarks are the property of their respective owners.

This literature is provided for informational purposes only. KIDDE-FENWAL, INC. believes this data to be accurate, but it is published and presented without any guarantee or warranty whatsoever. KIDDE-FENWAL, INC. assumes no responsibility for the product's suitability for a particular application. The fire suppression system design, installation, maintenance, service and troubleshooting must be performed by trained, authorized Kidde Fire Systems distributors for the product to work correctly. If you need more information on this product, or if you have a particular problem or question, contact: KIDDE-FENWAL, INC., Ashland, MA 01721 USA, Telephone: (508) 881-2000.